

**Micro Speaker**

**Model: OSR1510V-4.2F0.5W8A**



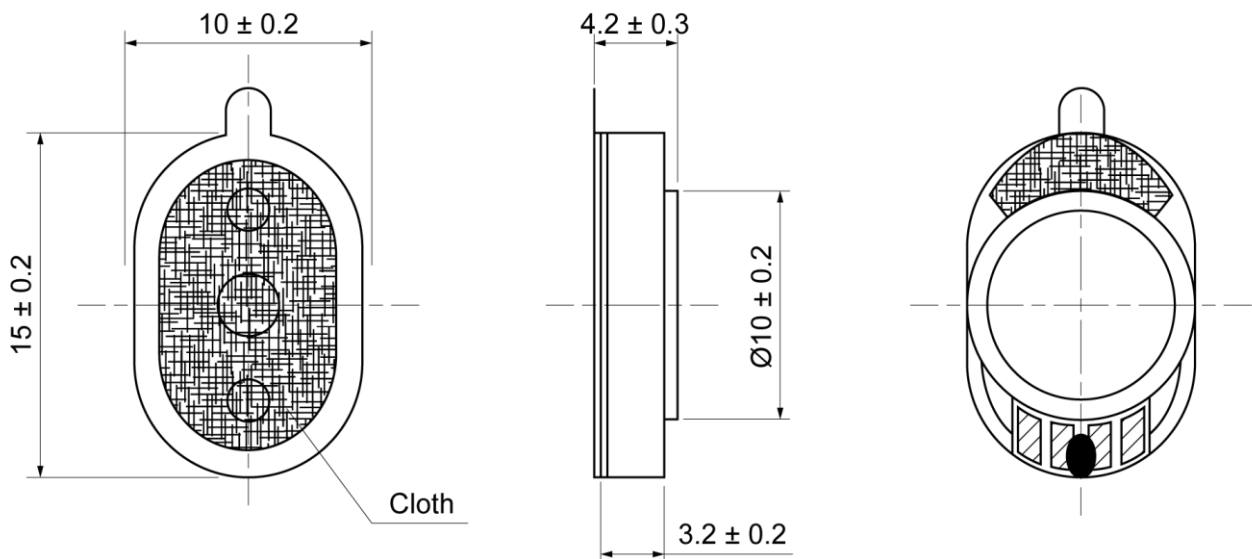
**ELECTRICAL SPECIFICATIONS**

	Condition	Parameter	Unit
Sound Pressure Level	at 0.1W, 10cm [at 1KHz]	84 ± 3	dB
Impedance	at 1V, 2000Hz	8 ± 15%	Ω
Rated Input Power		0.5	W
Max Input Power		0.8	W
Resonant Frequency (Fo)	at 1V	1300 ± 20%	Hz
Frequency Range		Fo ~ 20000	Hz
Buzzer & Rattles	not be audible at sine wave between Fo ~ 20KHz	2	V
Operating Temperature		-20 ~ 60	°C
Magnet		Nd-Fe-B	
Frame Material		PBT	
Cone Material		Mylar (PET)	
Weight		1.5	g

**MECHANICAL DRAWING**

Dimensions in mm

Tolerance ±0.5mm Except Specified



**Micro Speaker**

**Model: OSR1510V-4.2F0.5W8A**

**FREQUENCY RESPONSE CURVE**

